



CMA-180T

High Temperature
Pot & Pan Single Rack
Split Door Dishwasher

**NEW
SPLIT DOOR
FEATURE**



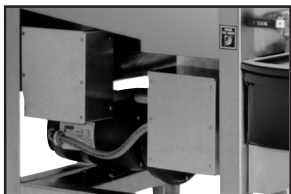
Corner Model



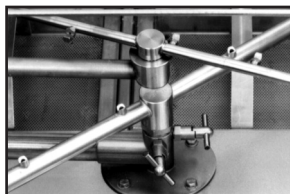
Straight Model

FEATURES:

- **Energy Star® Approved**
- 60 racks / 240 covers per hour.
- Economical to operate. Uses only 1.24 gallons of water per cycle.
- Split-door design provides a sheet pan door clearance of 27-inches, reduces overall (open-door) height of machine to 93-1/2". A beneficial feature for kitchens with low ceilings.
- Automatic soil purging system filters wash water and traps plate debris into an external tray. Tray can be easily removed for dumping contents.
- All stainless steel construction offers durable performance and years of trouble free operation.
- Built-in chemical resistant industrial 7kW heater is proven to be more durable than commercial style heaters.
- Unique spray arm system features upper and lower stainless steel wash arms with reinforced end caps. Specially designed pull-pins allow wash arms to be easily removed for cleaning.
- Top mounted control box is water tight and includes a rack counter, extended wash/delimer switch and easy to read temperature gauges.
- Auto start/stop makes operation safe and easy.
- Field convertible for a wide range of applications.
- Safety Temp feature assures 180°F sanitizing rinse every cycle.
- Single point electrical connection.
- Automatic tank fill.
- Interchangeable upper and lower arms.



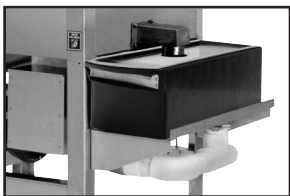
Industrial wash tank and optional booster heaters are designed for years of trouble free service.



Unique pull-pin design allows wash arms to be easily removed for cleaning.



Top mounted control box is water tight and includes a rack counter, extended wash/delimer switch and easy to read temperature gauges.



External scrap tray maintains clean wash water and prevents debris from clogging the drain.



Large 27" door opening accommodates larger items.

Available Options:

- Exhaust Fan Time Control
- Built-in 12kW booster heater
- CMA-180 Conversion Kit Corner to Straight PN: 617.29
- CMA-180 Conversion Kit Straight to Corner PN: 617.39
- Alternative electrical available for export
- Dual power supply connections
- Stainless steel dishtables
- 2 minute cycle
- Stainless steel scrap trap

**CMA
MIZER®**
Registered Trademark



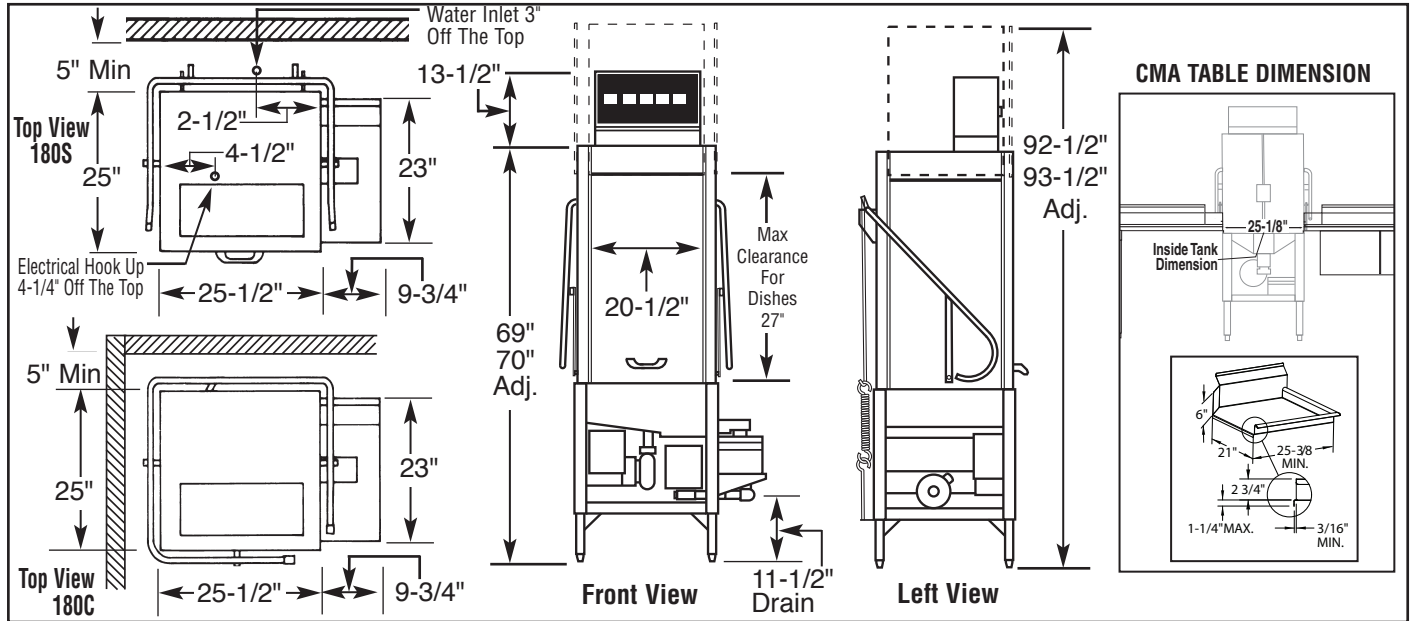


CMA-180T

High Temperature
Pot & Pan Single Rack
Split Door Dishwasher

WARNINGS:

- Plumbing connections must be made by a qualified service company who will comply with all available Federal, State, and Local Health, Plumbing and Safety codes.
- Water hardness above 3 grains per gallon should be treated by a water softener. Failure to provide soft water (3g or less) will void the machine warranty.



Specifications:

MODEL CMA-180T SPLIT DOOR	USA	METRIC		USA	METRIC
WATER CONSUMPTION			WASH PUMP MOTOR HP	1	1
PER RACK	1.24 GAL.	(4.65 L)	FRAME DIMENSIONS		
PER HOUR	74.4 GPH	(281.2 L)	DEPTH	25"	(63.5cm)
OPERATING CYCLE			WIDTH (OUTSIDE DIMISION)	25-1/2"	(65cm)
WASH TIME - SEC.	44	44	HEIGHT	69"-70"	(175-178cm)
RINSE TIME - SEC.	11	11	STANDARD TABLE HEIGHT	34"	(86.3cm)
TOTAL CYCLE	55	55	MAX CLEARANCE FOR DISHES	27"	(68.6cm)
OPERATING CAPACITY			DRAIN CONNECTION (OFF FLOOR)	11-1/2"-12-1/2"	(29-32cm)
RACKS PER HOUR	60	60	STANDARD DISHRACK DIMENSIONS	1 19-3/4" X 19-3/4"	1 (50X50cm)
WASH TANK CAPACITY	8 GAL.	(30.3 L)	ELECTRICAL RATING	VOLTS	PHASE
PUMP CAPACITY	68 GPM	(257 LPM)	WITHOUT BOOSTER	208 240 208 240 480	1 1 3 3 3
WATER REQUIREMENTS			WITH BOOSTER	208 240 208 240 480	1 1 3 3 3
WITHOUT BOOSTER HEATER	180°F	(82°C)			
WITH BOOSTER HEATER	120°F - 140°F	(49°C - 60°C)			
WATER INLET	3/4"	(1.9 cm)			
DRAIN CONNECTION	2"	(5.1cm)			
RINSE PRESSURE SET	20 ± 5psi	(1.41 kg/cm ²)			
OPERATING TEMPERATURE			SHIPPING WEIGHT		
WASH-°F (MIN)	155°F-160°F	(68°C-71°C)	WITHOUT BOOSTER	353#	(160kg)
RINSE-°F (MIN)	180°F-195°F	(82°C-90°C)	WITH BOOSTER	396#	(180kg)

Summary Specifications: Model CMA-180T Split Door

The model CMA-180T Split Door single tank, high temperature dishwasher is designed for years of trouble free service, producing sparkling results while conserving energy, water and chemicals. This machine is available with an optional "built in" booster heater, assuring a continuous supply of 180°F hot water, and can accommodate dishes and utensils up to 27" high. Constructed entirely of stainless steel. Unique soil purging system filters wash water and plate debris into an external tray. The CMA-180T Split Door meets NSF, UL, CUL standards.

- Available Models:** ■ CMA-180TS Tall Straight Split Door ■ CMA-180TSB Tall Straight Split Door with booster
■ CMA-180TC Tall Corner Split Door ■ CMA-180TCB Tall Corner Split Door with booster

Advisory: CMA does NOT endorse "Tankless On-Demand" water heaters for use on CMA Dishmachine products. CMA DOES endorse, and highly recommends, the standard "tank" style water heaters, sized properly to handle each particular facility with their water heating requirements.



CMA Dishmachines 12700 Knott Street Garden Grove, CA 92841 • 800-854-6417 • 714-898-8781 • Fax: 714-895-2141 • www.cmadishmachines.com

CMA reserves the right to modify specifications or discontinue models without prior notification.